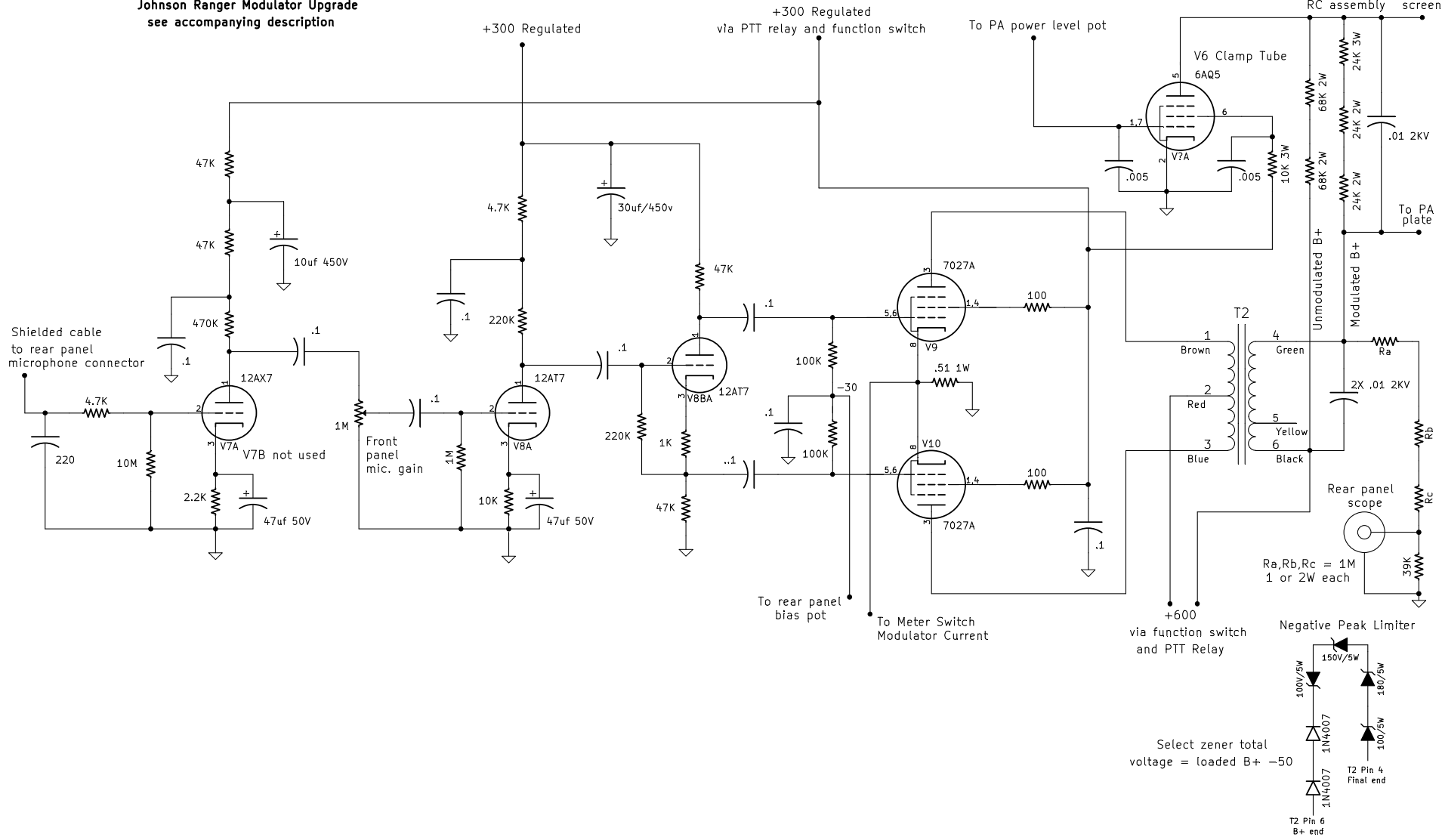


Johnson Ranger Modulator Upgrade
see accompanying description



V7 and V8 replaced with shielded sockets
See schematic 1 for interconnections
Note - 7027A has pins 1 and 4 - g2
and 5 and 6 - g1 tied together
use both pins when connecting

Modulation transformer feedback winding
and secondary center tap not used

WA3DSP	
Doug Crompton	
File: Ranger Modulator.sch	
Sheet: /	
Title: Johnson Ranger Modulator Section Update	
Size: A4	Date: 11 feb 2013
KiCad E.D.A. eeschema (2012-01-19 BZR 3256)-stable	Rev: 1
	Id: 1/1